

Makita

1/2" ANGLE DRILL

Model DA6300

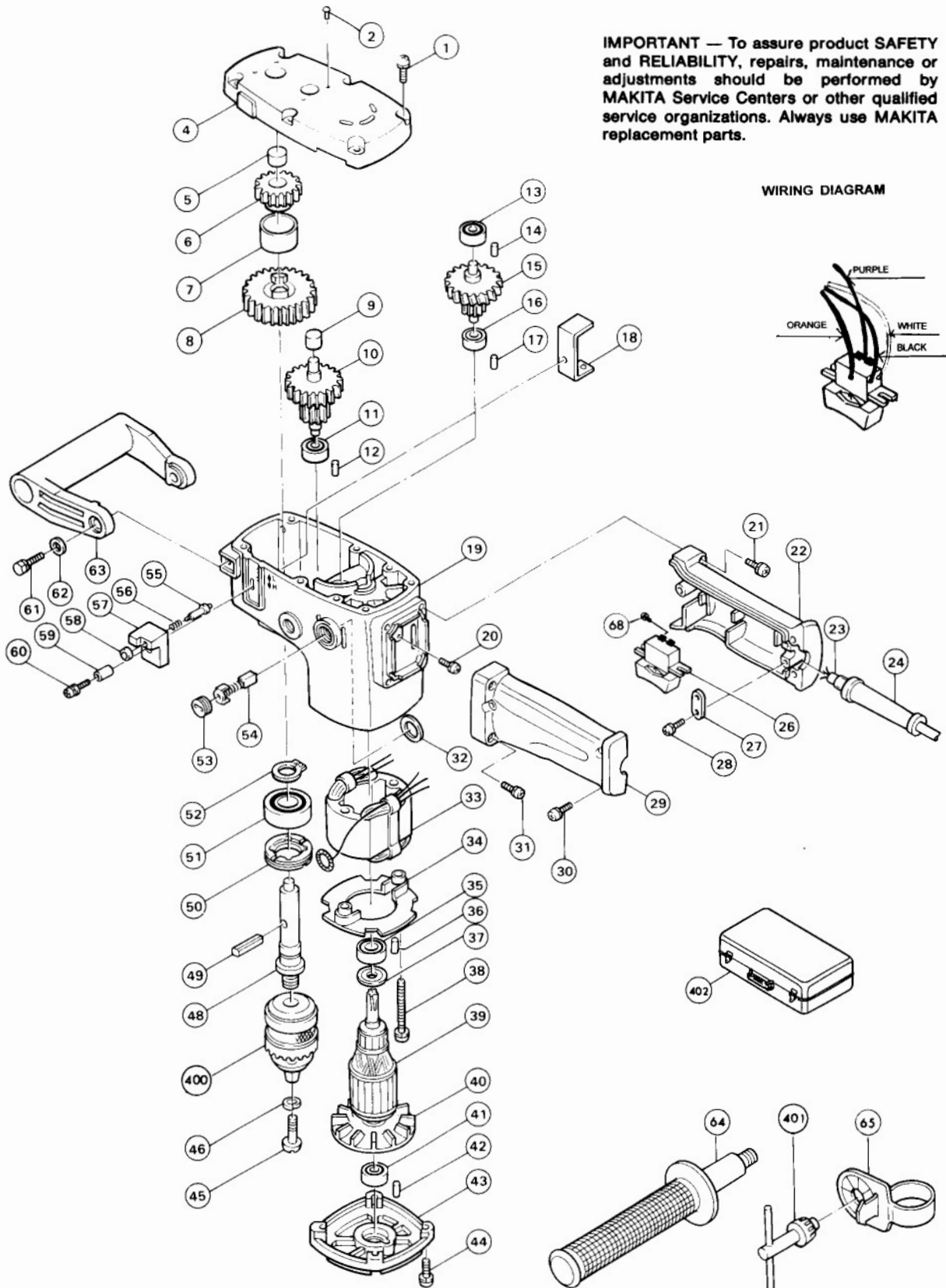


Fig.	Part No.	Qty. Used	Description	Fig.	Part No.	Qty. Used	Description
1	911241-2	6	PAN HEAD SCREW M5X25	34	411895-0	1	BAFFLE PLATE
2	953106-2	4	RIVIT 0-5	35	211061-7	1	BALL BEARING 6000LLB
3	157398-7	1	HOUSING COVER (INCL. FIG.14)	36	263002-9	1	RUBBER PIN 4
5	212052-1	1	NEEDLE BEARING 1010	37	213059-0	1	DUST SEAL 10
6	221877-2	1	SPUR GEAR 33	38	251361-3	2	PAN HEAD SCREW M5X60
7	257573-6	1	SLEEVE 26	39	612736-5	1	ARMATURE ASS'Y (INCL. FIG. 35,37,40,41)
8	226227-6	1	SPUR GEAR 28	40	241635-0	1	FAN 70
9	212004-2	1	NEEDLE BEARING 810	41	211033-2	1	BALL BEARING 608LB
10	226102-6	1	GEAR COMPLETE 10-45	42	263002-9	1	RUBBER PIN 4
11	211033-2	1	BALL BEARING 608LB	43	315352-9	1	BEARING BOX COMPLETE
12	263002-9	1	RUBBER PIN 4	44	911236-5	4	PAN HEAD SCREW M5X22
13	211028-5	1	BALL BEARING 627LB	45	251442-3	1	FLAT HEAD SCREW M6X26
14	263002-9	1	RUBBER PIN 4	46	942151-2	1	SPRING WASHER 6
15	226101-8	1	GEAR COMPLETE 12-59	48	321449-4	1	SPINDLE
16	211018-8	1	BALL BEARING 626LB	49	321530-1	1	PIN 6
17	263002-9	1	RUBBER PIN 4	50	285809-3	1	BEARING RETAINER 23-26
18	341749-6	1	SLIDER	51	211251-2	1	BALL BEARING 6003LLB
19	157593-9	1	HOUSING (INCL. 2EA. BRUSH HOLDER, 643603-3; 2 EA. SET SCREW M5X8, 913206-0 FIG. 12,17,36)	52	961057-5	1	RETAINING RING S-17
20	652014-1	1	PAN HEAD SCREW M4X8	53	643600-9	2	BRUSH HOLDER CAP 6-10
21	911216-1	2	PAN HEAD SCREW M5X14	54	191945-4	2	CARBON BRUSH CB-124
22	182280-1	1	HANDLE SET (INCL. FIG. 29)	55	321891-9	1	STOPPER PIN
23	664630-7	1	POWER SUPPLY CORD (3X18X8;SJ)	56	231098-8	1	COMPRESSION SPRING 6
24	682503-2	1	CORD GUARD 8-90	57	410627-2	1	SLIDE BUTTON
26	651564-3	1	SWITCH (WITHOUT INSULATION PAPER)	58	321892-7	1	KNOB
27	687001-1	1	STRAIN RELIEF	59	257574-4	1	SLEEVE 5
28	911133-5	2	PAN HEAD SCREW M4X18	60	911218-7	1	PAN HEAD SCREW M5X14
29	182280-1	1	HANDLE SET (INCL. FIG. 22)	61	921441-6	2	HEX. BOLT M8X25
30	911143-2	3	PAN HEAD SCREW M4X22	62	941202-8	2	FLAT WASHER 8
31	911216-1	2	PAN HEAD SCREW M5X14	63	273628-9	1	TOP HANDLE
32	681001-3	2	INSULATION WASHER	64	273476-6	1	SIDE HANDLE
33	622526-8	1	FIELD ASS'Y (INCL. 2 EA. GARTER SPRING, 654019-7; CONNECTOR 654501-6)	65	410102-8	1	KEY HOLDER
				68	652008-6	4	SCREW
				ACCESSORIES			
				400	763062-6		DRILL CHUCK S13
				401	763411-7		CHUCK KEY S13
				402	181685-2		STEEL CARRYING CASE